



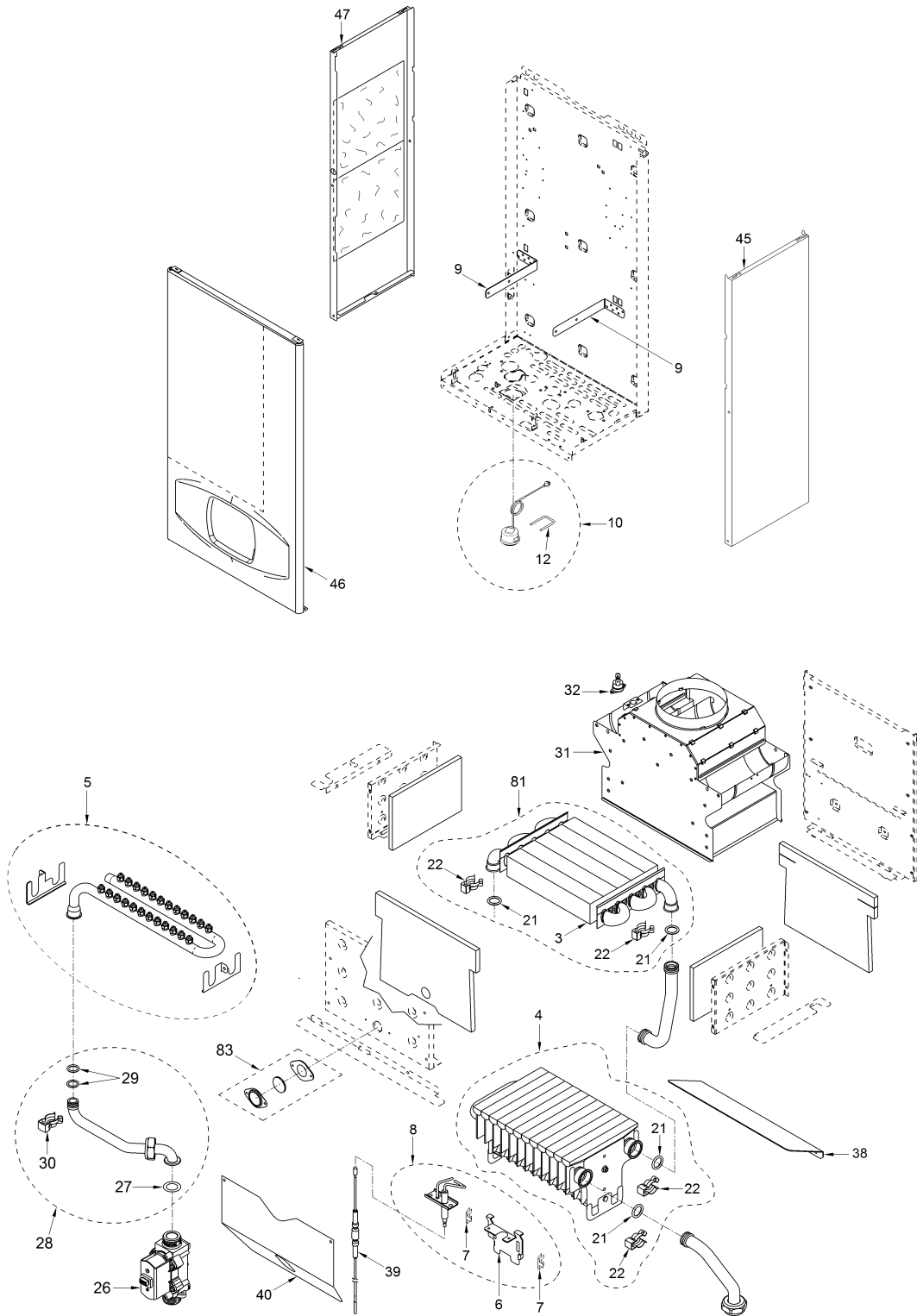
Fonderie Sime S.p.A. - Via Garbo, 27 - 37045 Legnago (VR) - www.sime.it
Tribunale Verona 13531 - R.E.A. VR 171357 - C.C.P. 19423375 - N° Mecc. VR 014435
Capitale Sociale Euro 5.521.200 int. versato - Codice Fiscale/Partita IVA n. IT 01275930236

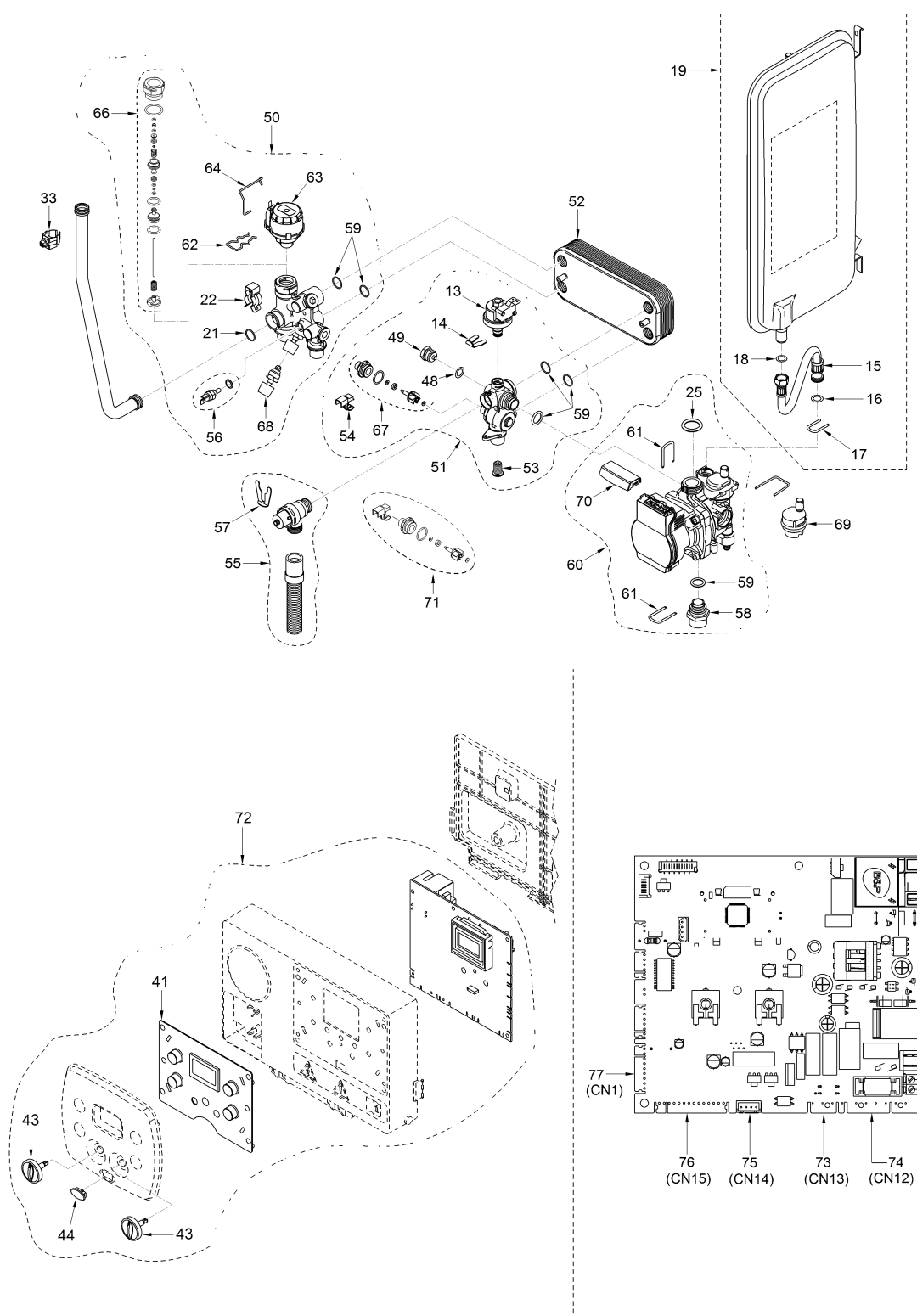
Comfort Ambiente - Via Garbo, 27 - 37045 Legnago (VR)

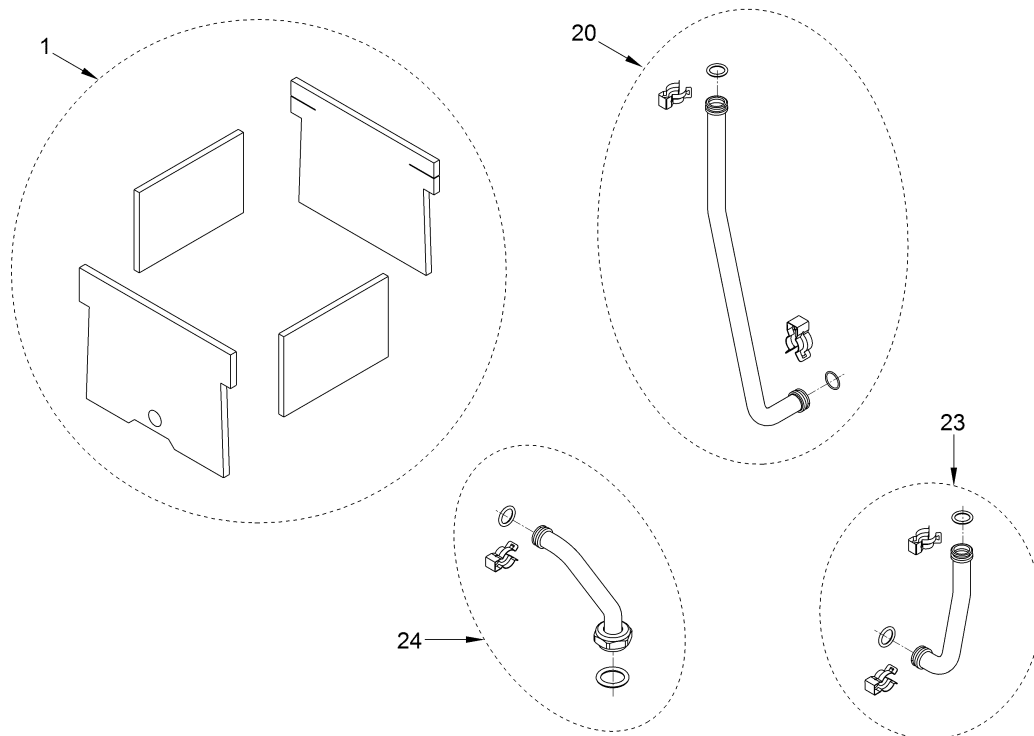
Tel +39 0442 631111 - Fax Servizio Commerciale: Italia +39 0442 631291 - Estero +39 0442 631293

Fax Servizio Tecnico +39 0442 631292 - Fax Ufficio Acquisti +39 0442 631292 - Fax Amministrazione +39 0442 631336

8110470 VERA 25 OF ERP







Position	Code	Description	Where used	Advised parts
001	6281721	Combust.chamber insulating kit		A
004	6281720	Burner + gasket + spring		A
005	6154467	Burner manifold met		
006	6321467	Electrode bracket		
007	6226651	Fixing electrode bracket spring		
008	5179522	Electrodes ignition-ionisation		B
009	6321464	Burner support bracket		
010	6281716	Hydrometer + spring		A
012	6226628	Hydrometer Fixing spring		
013	6037510	Water pressure switch		B
014	6226639	Spring clip		
015	6017405	Flexible pipe M.F. 3/8" L=300		
016	6226476	ORing diam.15x2		
017	6226643	Pipe fixing spring		
018	2030226	Gasket Ø 10,2x14,8x2		
019	6281713	Expans. vess.+flex+spring		C
020	6281722	Flowing pipe C.H.system+or		
021	6226412	O-ring 3068		
022	6226601	Spring for heat exchanger conne		
023	6281723	Pipe exit burner+gasket+spring		
024	6281724	Return pipe C.H.system + or		
025	2030267	Piracriten gasket Ø 30x17x2		
026	6243838	Gas valve		A
027	2030249	Gasket Ø 24x17x3		
028	6281718	Gas pipe + gasket + spring		
029	6226480	ORing 12.42X1.78		
030	6226617	Spring for heat exchanger conne		
031	5167597	Draught diverter assy		
032	6146712	Smoke switch		A
033	6231362	NTC sensor		A
038	6321496	Rear deflector		
039	6269819	Ignition cable		B
040	6321495	Protection bracket		
041	6305130	Rubber button		
043	6290150	Knob Ø 25		
044	6305140	Rubber cap		
045	6304480	casing left/right side panel		
046	6281711	Front panel + insulators		
047	6281712	Right panel kit + insulators		
048	2030225	Gasket Ø 5,5x11x2		
049	6147401	Plug 1/4"		
050	6281659	C.H.flow stepper manifold + or		C
051	6281568	C.H. return manifold + or kit		C
052	6319692	Kit 16 plate heat exchanger + o		C
053	6222003	D.H.W. filter		C
054	6131440	Flowmeter sensor		A

055	6319649	Safety valve kit 3 bar + plasti	B
056	6281519	Plunged sensor + gasket	A
057	6226645	Spring clip	
058	6120560	Pump nipple 3/4"	
059	6226475	ORing diam.18,64x3,53	
060	6281681	Circulat. pump + gasket	B
061	6226644	Spring clip for rotating connec	
062	6226636	D.H.W. elektrovalve fix.spring	
063	6087332	Motor for diverting valve	B
064	6226638	Divertor valve motor spring cli	
066	6319645	Three-way plates group	B
067	6319644	Flowmeter group	B
068	6319639	Filling cock	C
069	6013182	Automatic air vent	C
070	6319647	Circulateur top cover	
071	6319651	Flowmeter + sensor group	A
072	6281715	Main P.C.B + keys + knobs	A
073	6329444	Connect.CN13 circulat. system	B
074	6323875	6 pole cable connector CN12	
075	6323876	4 pole cable connector CN14	
076	6323891	Conn.CN15 flux-p.a.-s.s.-s.e.-t	
077	6323894	Conn.CN1 t.f. - s.r.1 - s.r.2	
081	6281717	Heat exchanger+or+spring	A
083	6281719	Peephole assembly	

- A = Spare parts for minimum fittings
- A+B = Spare parts for basic safety fittings
- A+B+C = Spare parts for extended safety fittings